



C4 CONE CRUSHER

The McCloskey® third generation mobile Cone Crusher has been designed to deliver superior performance whilst also achieving higher capacity, better product quality, optimum versatility and improved fuel efficiency.

The C4 Cone Crusher puts McCloskey to the forefront of mobile crushing and pushes the boundaries of industry performance.

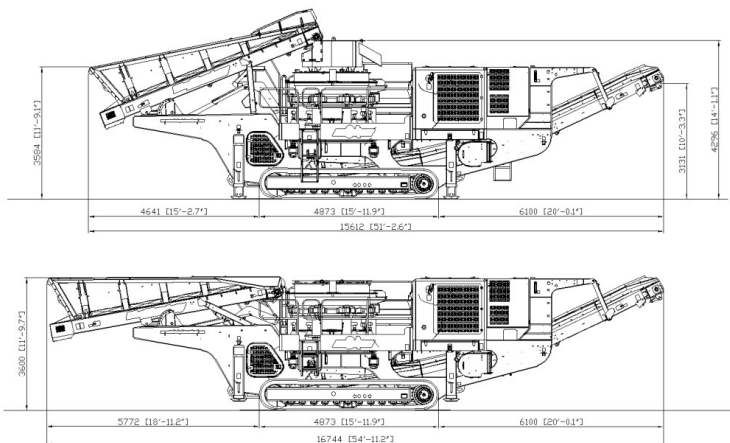
FEATURES

- ✓ Powerful MC400 Cone
- ✓ Tracked
- ✓ Large gap between crusher discharge and main conveyor for enhanced material flow
- ✓ Integrated hopper with folding rear door for ease of loading
- ✓ Open chassis and unrivaled access from ground level for maintenance and service
- ✓ Less than 5 minutes from setup to operation



Built to be reliable in the toughest operating conditions, the C4 delivers excellent productivity through long stroke and high speed in terms of capacity, reduction, and end product shape. The variable speed of crusher provides the ability to obtain the best combination of production and product shape, maximizing efficiency while the heavy duty main conveyor belt features a spring loaded adjustable belt scraper, self aligning belt rollers, and pressure monitoring sensor to detect blockages or stoppage.

The large high resolution control panel display with full machine monitoring and troubleshooting capabilities and simple hydraulic controls ensure ease of operation.



C4 TECH SPECS

Engine	456 kW (612 Hp)
Cone	MC400
Crushing Chamber	299mm (11.77")
Max. Feed Opening	Peak to Peak
Feed Opening	1130mm (44.5")
Feeder Belt Width	1200mm (48")
Hopper Volume*	6.2m ³ (8.1yd ³)
Crusher Drive	Direct Drive
CSS Adjustment	Hydraulic
Main Conveyor	
Stockpile Height	3124mm (10' - 3")
Belt Width	1200mm (48")

TRANSPORT

Transport Height	3.6m (11' - 9.7")
Transport Length	16.76m (55')
Transport Width	3.66m (12')
Weight	58,900 kg (129,852lb)

OPTIONS

Hopper Extensions | Various Cone Liner Options | Work Lights | Belt Scale | Long Main Conveyor

STANDARD

Water Pump and Dust Suppression System | Refueling Pump

*Heaped Material