



I4C IMPACT CRUSHER

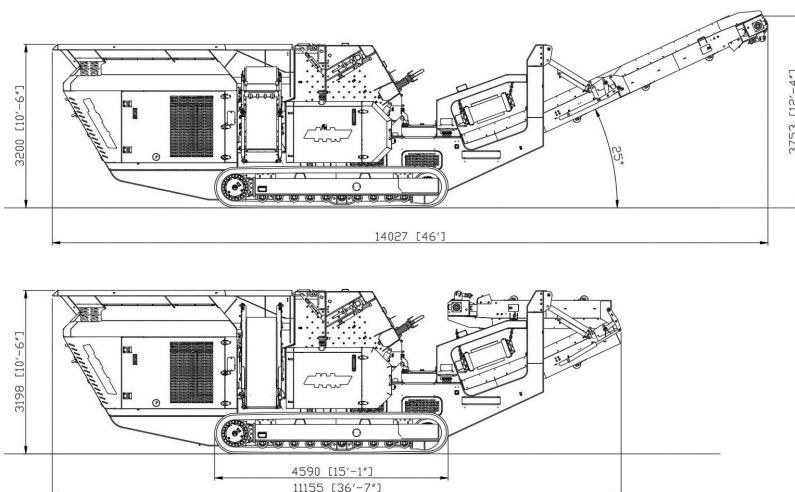
The McCloskey® I4C heavy duty compact impact crusher combines mobility, power and new features to deliver the highest production across applications and materials.

FEATURES

- ✓ Powerful 1050mm (41.3") diameter x 1125mm (44.3") wide Impactor
- ✓ Aggressive Blow Bar design with larger contact area for high capacity crushing
- ✓ Asymmetric Feeder integrated into single feeder/hopper configuration
- ✓ Tough-Flex® heavy duty conveyor belt delivers lasting performance
- ✓ Chamber Safety Arm for secure access to impact chamber
- ✓ Simplified Hydraulics and Direct Drive Crusher
- ✓ Efficient and simple operation



The I4C is in a class of its own, bringing the productivity of an 1125mm (44.3") impactor to a compact footprint for maximum power and maneuverability. The crusher's design has ease of access in mind, with an excellent layout for operation, maintenance and service. Advanced clutch technology delivers reduced fuel consumption, and less maintenance while increasing safety and productivity. With its ease of operation and efficient hydraulics, the I4C heavy duty track mounted crusher is sure to make an impact across a variety of materials and applications.



I4C TECH SPECS

Engine	280kW (375 Hp)
Rotor Diameter	1050mm (41.3")
Rotor Width	1125mm (44.3")
Stockpile Heights	
Main Conveyor	3753mm (12'- 4")
Side Conveyor	2758mm (9' - 1")
Grizzly Feeder	
Width	1060mm (41.7")
Length	4250mm (167.3")
Hopper	
Width	2150mm (84.6")
Length	4775mm (188")

TRANSPORT

Transport Height	3.2m (10' 6")
Transport Length	11.155m (36' 7")
Transport Width	2.65m (8' 8")
Weight	36,500 kg (80,469 lbs)

OPTIONS

4 Full Height Blow Bars | Grizzly Blanking Plates | Feeder Punch Plate | Hoist | Various Blow Bar Options | Main Conveyor Variable Speed | Work lights | Refueling Pump | Water Pump and Dust Suppression