

MDS

[mds-int.net](http://www.mds-int.net)

M820 TROMMEL

<http://www.mds-int.net>



**Drummond, Magheracloone
A81 TE82, Carrickmacross
Co. Monaghan, IRELAND**

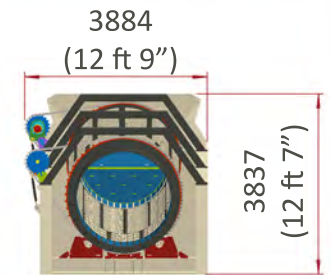
**TEL: +353 42 966 7899
EMAIL: info@mds-int.net
WEB: www.mds-int.net**

[f](#) [in](#) [@](#) YouTube / **MDSInternational**

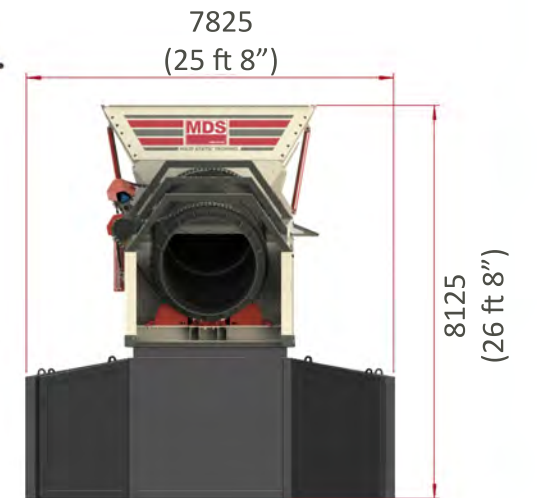
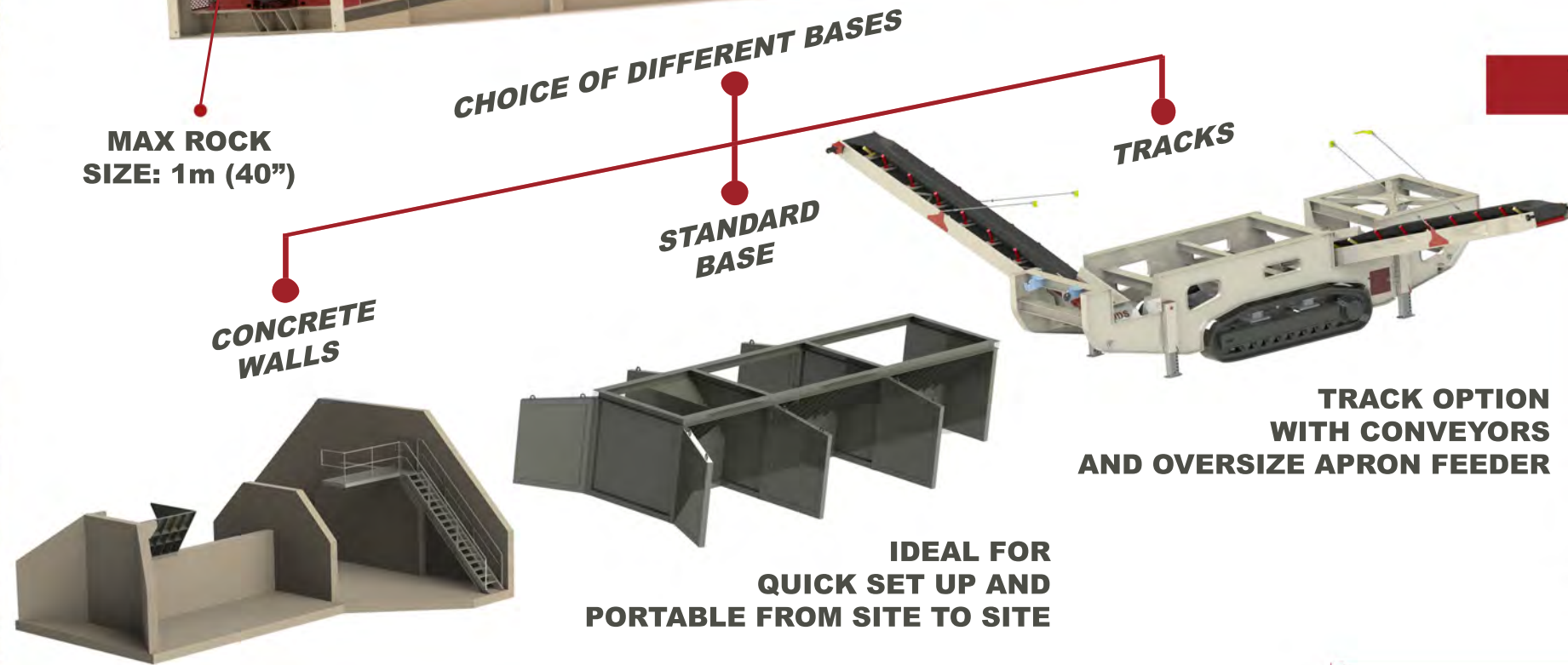
The M820 is a large, heavy duty rock trommel, capable of screening rock upto 1m (40") in size at approximately 750 tons per hour. It is ideal for use in cleaning dirty rock or screening blasted material. With 3 possible configurations, our modular trommel covers many applications. The M820 comes with 3 or 4 splits.

TECHNICAL SPECIFICATIONS

TRANSPORT DIMENSIONS

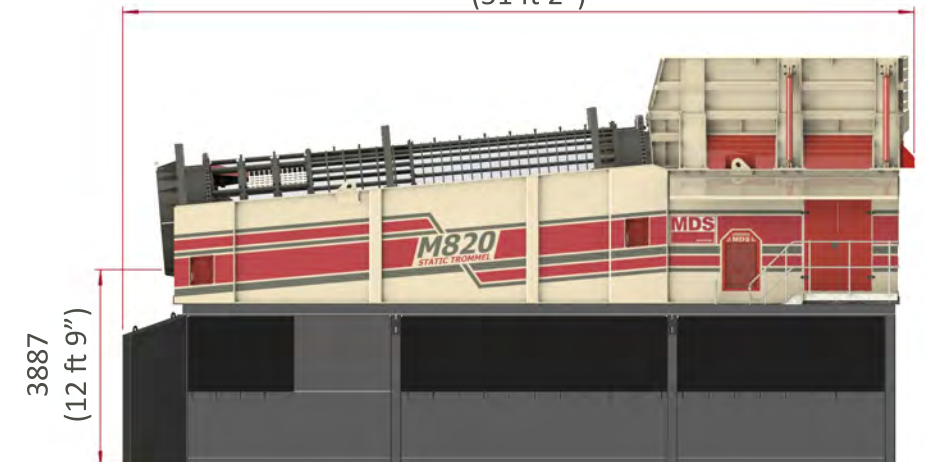


WORKING DIMENSIONS



CREATE LARGER STOCKPILES AND FEED WITH DUMP TRUCKS USING CONCRETE WALLS









15606 (51 ft 2")



MACHINE SPECIFICATIONS

Approx Tons per Hour :	750 tons	Weight :	75 tons
Drum Diameter :	2 m (6 ft 7")	Max Rock Size :	1 m (40")
Drum Length :	8 m (26 ft 3")	Hopper Capacity :	70 tons
Number of Outputs :	3 or 4 (25 to 600 mm) (1" to 24")	Feed Mechanisms :	Hydraulic Push Feeder
		Engine and Controls :	Cat 7.1 / Electronic Control System

MDS TROMMEL RANGE

MODEL	Tons per Hour	Drum Diameter	Drum Length	Number of Outputs	Screen Openings	Hopper Capacity	Feed Mechanism	Engine and Controls
MDS M412 TROMMEL Mobile track machine for use with primary blast, dirty material or rip rap								
	250 to 300 tons	1.25 m (4 ft 1")	4 m (13 ft 1")	2 off	25 mm to 200 mm (1" to 8")	12 Tons	Hydraulic Push Feeder	Cat 2.2 / Electronic Control System
MDS M515 TROMMEL Mobile track machine for use with primary blast, dirty material or rip rap								
	350 to 500 tons	1.5 m (4 ft 11")	5 m (16 ft 5")	3 off	25 mm to 460 mm (1" to 18")	30 tons	Hydraulic Push Feeder	Cat 4.4 / Electronic Control System
MDS M615 STATIC TROMMEL Semi mobile machine which can be moved from site to site and can be loaded by an excavator or dump truck								
	350 to 500 tons	1.5 m (4 ft 11")	6 m (19 ft 8")	4 off	25 mm to 500 mm (1" to 20")	30 tons	Hydraulic Push Feeder	Cat 4.4 / Electronic Control System
MDS M820 TROMMEL A large heavy duty static rock trommel ideal for cleaning dirty rock or screening blasted material								
	750 tons	2 m (6 ft 7")	8 m (26 ft 3")	3 or 4 off	25 mm to 600 mm (1" to 24")	70 tons	Hydraulic Push Feeder	CAT 7.1 / Electronic Control System
MDS M825 TROMMEL A super sized heavy duty static trommel for maximum output. It can be set up on concrete walls or a metal chutes structure								
	1000 tons	2.5 m (8 ft 2")	8 m (26 ft 3")	3 off	70 mm to 600 mm (3" to 24")	100 tons	Hydraulic Push Feeder	Cat 6.6 / Electronic Control System
MDS M520R TROMMEL A static trommel ideal for compost or light recycling								
	15 tons	2 m (6 ft 7")	5 m (16 ft 5")	2 off	5 mm to 50 mm (0.2" to 2")	X	X	2 off 3 kW Motors (4 HP)
MDS M820R TROMMEL A tough static machine built for recycling concrete and demolition or any heavy duty recycling								
	50 tons	2 m (6 ft 7")	8 m (26 ft 3")	2 or 3 off	10 mm to 250 mm (0.4" to 10")	X	X	2 off 15 kW Motors (20 HP)
MDS APRON FEEDERS Manufactured to your requirements								
QUARRY FEEDER				MINING FEEDER	