

JAW RECYCLING CRUSHER

THE EXTRA WIDE **3062J-W** ELIMINATES PREPPING MATERIAL



The 3062j-w jaw crusher is the only crusher on the market specifically designed extra wide for the recycling industry. It handles slabby concrete, reducing or eliminating the need to prep material. The short stature of the jaw crusher also contributes to the success of this crusher allowing material to easily enter the chamber without causing a tramp event. Another advantage to this plant is the large 62" feeder which allows the recycle material to easily flow into the jaw without any taper.

- An extra heavily ribbed steel frame-stress relieved after welding and before machining
- One piece steel pitman
- Heat-treated forged alloy steel eccentric shaft
- Steel cheek plates
- Oversized tapered roller bearings in both the pitman and frame. Tapered roller bearings exhibit a greater load carrying capacity compared to an equal sized spherical roller used in competitor's machines
- Reversible manganese steel jaw dies and extensions
- Two heavy-duty flywheels one grooved for V-belts
- Automatic Oil Lubrication System which delivers a metered flow of filtered oil to each bearing

LIPPMANN

3062J-W TECHNICAL SPECIFICATIONS

SPECIFICATIONS	
Jaw Crusher	30" x 62"
RPM	230 rpm
Max Feed Size	27"
Discharge Conveyor	N/A
Operating Speed	318 rpm
Feeder	62" x 18'
Operating Speed - Max	830 rpm
Grizzly Length	4'

HORSEPOWER	
Jaw Crusher	200
Autolube	1
Toggle Power Unit (optional)	7.5
Taper Wedge (optional)	1.5
Feeder	40
Discharge Conveyor	N/A

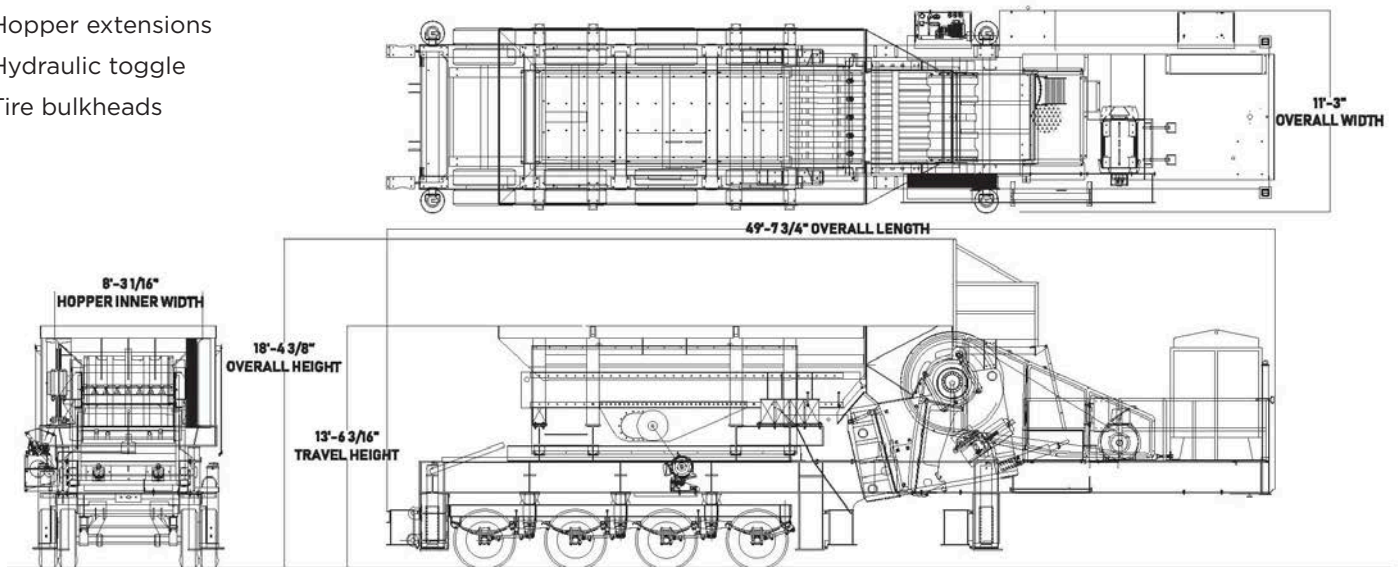
ADDITIONAL OPTIONS

- Hydraulic leveling jacks - (4) 70,000 lb.
- Six (6) run-on jack legs
- NEMA 12-motor control center
- Cross conveyor under grizzly
- Hopper extensions
- Hydraulic toggle
- Tire bulkheads

TRANSPORTATION (LBS.)	
Tires	11R22.5
Rear Axle	70,250
King Pin	54,250
Total	124,500
Weight of Feeder	36,250
Module	
Total Weight	160,750

HYDRAULIC TOGGLE OR MANUAL TOGGLE PLATE AVAILABLE [CLOSED SIDE SETTING (CSS) INCHES]	
3	220-243
3.5	280-309
4	337-375
4.5	399-421
5	420-463
8	*650-717
10	*799-882

* Manual toggle plate option only.
See page 2-10 from the Lippmann Jaw manual
3062 can be set from 3" to 7" (10" with toggle plate).



AUTHORIZED DISTRIBUTOR

LIPPMANN

3271 East Van Norman Avenue
Cudahy, WI 53110

Lippmann-Milwaukee.com

800-648-0486

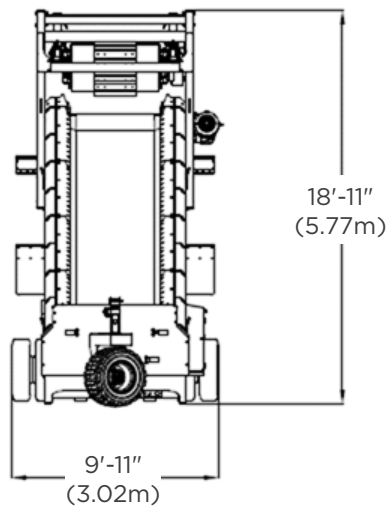
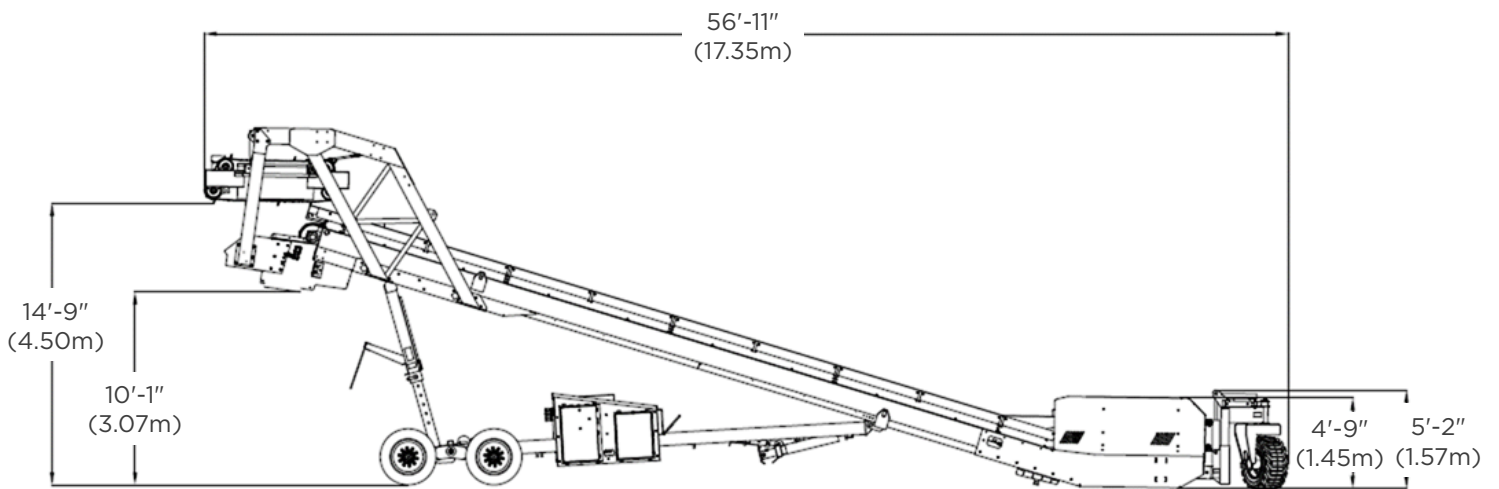
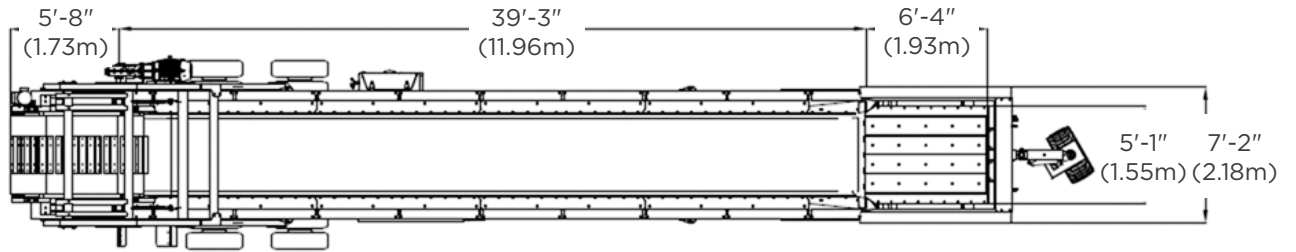
WHEELED MAGNET CONVEYOR

THE **6042m**
PROVIDES SUPERIOR
SORTING CAPABILITIES.



LIPPMANN

6042m WHEELED MAGNET CONVEYOR - WORKING



Wheeled Magnet Conveyor

6042m

Safeguard your equipment and collect unwanted metal with powerful, industrial-strength Lippmann magnet conveyors. Designed for recycling operations and to ensure the purest end product, Lippmann magnet conveyors feature self-cleaning, reinforced belting for minimum maintenance. Special wear alloys and a vibrating pan feeder at feed end provide maximum conveyor protection.



Self-cleaning electro magnet

Side independent walking beam suspension

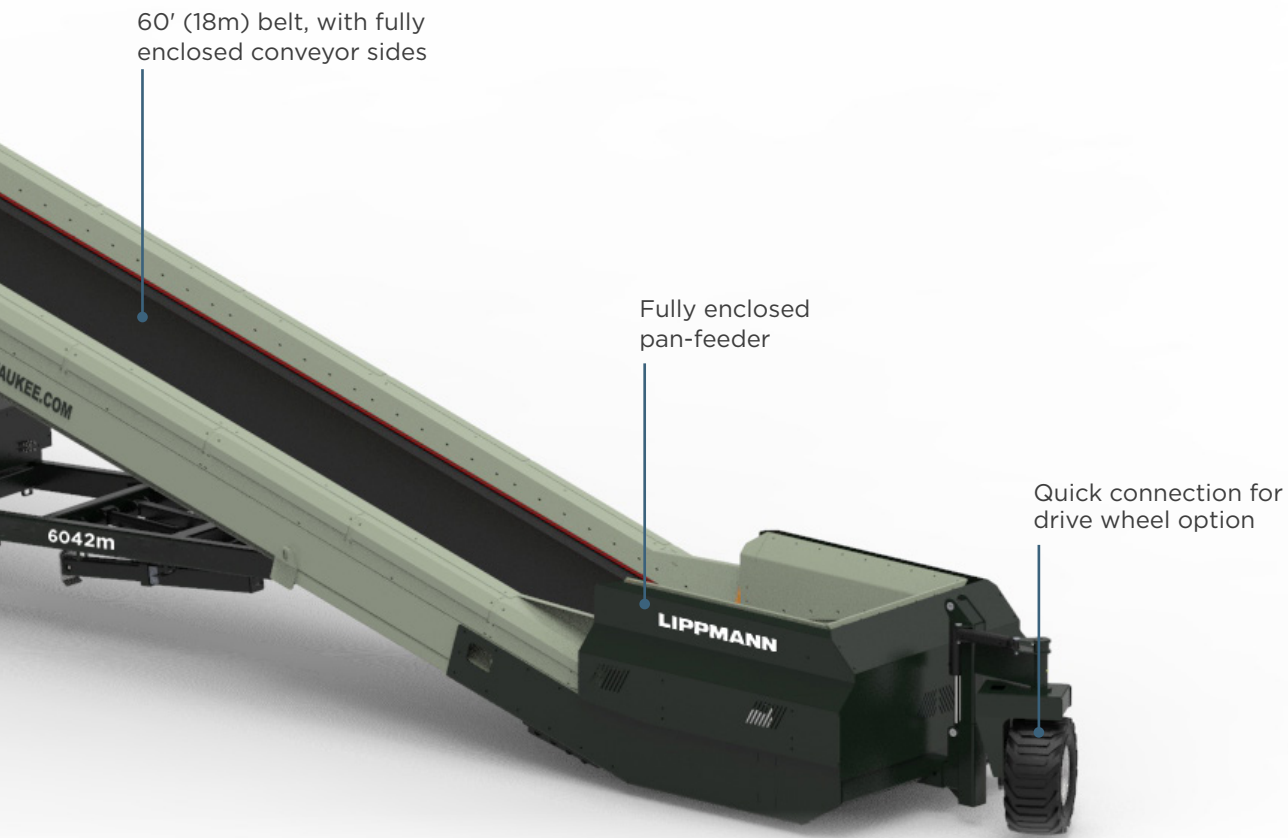
Lockable 8 hp (6kW) electric start Honda engine, powered by hydraulic power pack

STANDARD FEATURES

- Mounted NEMA control panel
- Push-button controls
- Fully enclosed pan-feeder
- Full side-enclosed conveyor
- Lockable - 8 hp (6kW) electric start Honda powered hydraulic power pack
- Quick connection for drive wheel option
- Side independent walking beam suspension

OPTIONS

- 460V / 575V
- 11R22.5 (Standard) / 315/80R22.5 tires
- Drive wheel tow hook / hydraulic drive wheeled (lever-controlled)
- Closed (go/no go) chute / open discharge magnet frame
- Electrical panel
 - Wired to connection box (standard)
 - Manual removable panel
 - Hydraulic removable panel



Lippmann magnet conveyors are ideal for any application where a magnet is required.

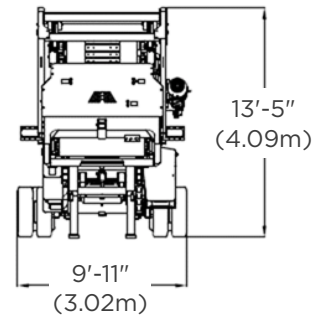
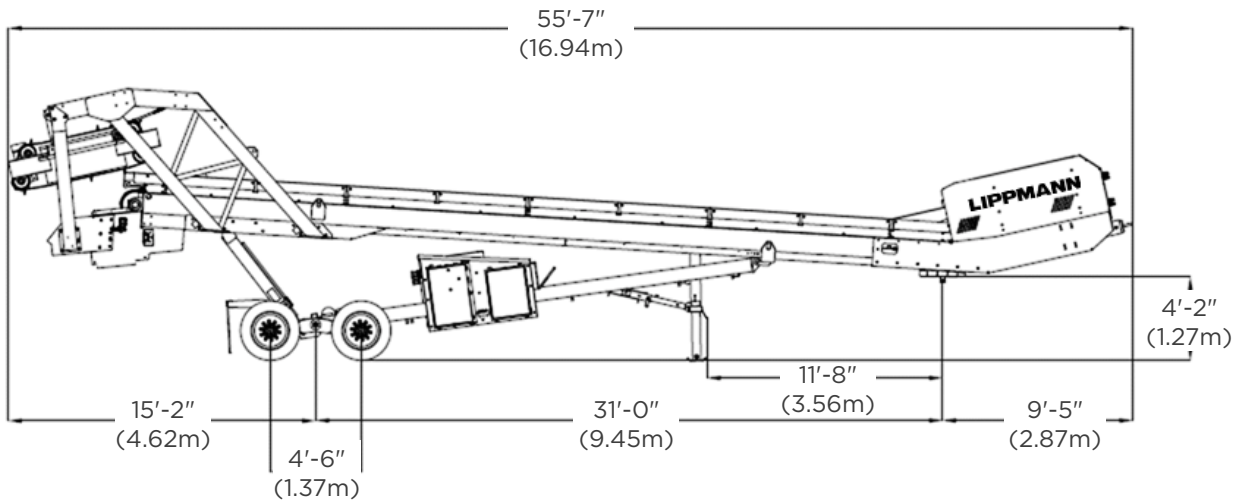
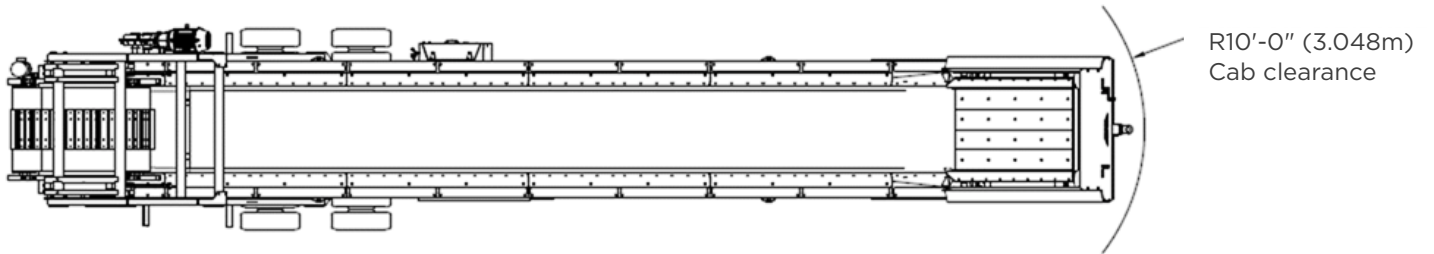


Set up for recycling applications, the conveyor features reinforced belting, special wear alloys, and a vibrating pan feeder.



Lippmann's self-cleaning electro magnet makes quick work of removing metal debris, ensuring your operation runs smoothly and efficiently.

6042m WHEELED MAGNET CONVEYOR - TRANSPORT



60"x42' MAGNET CONVEYOR CALCULATED WEIGHTS

OPTIONS	AXLE		KING PIN		TOTAL	
	LBS	KGS	LBS	KGS	LBS	KGS
With Go/No Go Chute	31,250	14,175	9,250	4,196	40,500	18,370
Open Magnet Discharge	(-1,675)	-760	(+475)	+215	(-1,200)	-544

THE 6042m WHEELED MAGNET CONVEYOR

TECHNICAL SPECIFICATIONS

CONVEYOR DIMENSIONS		
	US	METRIC
Length - Transport	667"	16.942mm
Width - Transport	119"	3.023mm
Height - Transport	161"	4.089mm
Weight - Axle (max)	31,250 lbs	14,175kg
Weight - King Pin (max)	9,250 lbs	4,196kg
TOTAL WEIGHT (MAX)	40,500 lbs	18,370kg

CAPACITIES		
	US GALLON	LITRE
Hydraulic Tank (Chassis)	20	76

PAN FEEDER		
	US	METRIC
Length	78"	1,981mm
Width	48"	1,219mm
Drive x2	Vibrator Motor	
Motor x2	2.5 hp	1.9kW
Adjustable Speed	No	No
Max Speed	1200 rpm	1200 rpm
Stroke	0.4375"	11mm

CONVEYOR		
	US	METRIC
Width	60"	1.524mm
Length	500"	12.700mm
Discharge Height (max)	140"	3.556mm
Belt	3 Ply - 375 PIW	
Drive	90 deg. Gearbox and Motor	
Power	25 hp	18.7kW
Speed	300ft/min	1.52m/sec
Idlers	5" 20 deg. Sealed - 5" Sealed Impact Return	
Head Pulley Diameter	16"	406mm
Tail Pulley Diameter	14"	356mm
Tail Pulley Type	Chevron Wing	
Folding	No	

Additional: Full length flashing

SELF-CLEANING ELECTRO-MAGNET		
	US	METRIC
Width	54"	1.372mm
Length (Belt)	73"	1.854mm
Length (Magnet)	48"	1.219mm
Belt	24"x2-1/2" Stainless Steel Cleated	
Drive	Electric Motor via 90 deg. Gearbox	
Power	5 hp	3.7kW
Speed	450ft/min	2.29m/sec
Speed Adjustment	No	

Additional: Height Adjustment

LIPPMANN

3271 East Van Norman Avenue
Cudahy, WI 53110

Lippmann-Milwaukee.com

800-648-0486

AUTHORIZED DISTRIBUTOR