

## THE LIPPMANN EDGE

The 4800r features were engineered using information from our customer base and dealer network, delivering a closed-circuit impactor plant a step above the rest.

- Natural material flow with rotor direction improves efficiency and pulls dust away from engine
- Spacious underpan area allows smooth and consistent material flow
- Material is gently introduced onto the primary conveyor
- Three or four bar impactor options help achieve more consistent gradation and top-size control
- Open flow between impactor and pan feeder, and onto rear-discharge conveyor
- Rear-discharge conveyor allows natural material flow through impactor chamber



- Recirculating material flow
- Industry's lowest return conveyor angle reduces rollback and optimizes feed angle
- Wedge channels material onto hopper pan, allowing recirculating feed into hopper
- Overflow chute prevents spills



- Electrical panel can hydraulically lift off for vibration reduction



## 4800r IMPACTOR PLANT TECHNICAL SPECIFICATIONS

TRANSPORTATION		
	LBS	KGS
Rear Axle	81,064	36,770
King Pin	46,295	20,999
<b>TOTAL</b>	<b>127,360</b>	<b>57,769</b>

CAPACITY					
STONE	SETTING		CAPACITY TONS	MAXIMUM FEED SIZE	
	IN	MM		IN	CM
Limestone	1.75	44	170-225	16	41
	2	51	175-230	18	46
	2.5	64	180-240	18	46
	3	76	190-260	18	46
Gravel	1.75	44	170-225	6	15
	2	51	175-230	8	20
	2.5	64	180-240	8	20
	3	76	190-260	8	20
Concrete	1.75	44	170-225	16	41
	2	51	175-230	20	51
	2.5	64	180-240	20	51
	3	76	190-260	20	51
Asphalt	1.75	44	170-225	28	71
	2	51	175-230	28	71
	2.5	64	180-240	28	71
	3	76	190-260	28	71

Secondary apron to hammer tip clearance in inches and cm

SPECIFICATIONS		
	US	METRIC
Impactor	42" x 48"	1067 x 1219mm
Impactor Operating Speed	600/630 RPM (option dependent, rock/asphalt)	8.67Hz
Discharge Conveyor	190" x 40"	4826 x 1219mm
Discharge Conveyor Operating Speed	310 ft/min	1.57m/sec
Feeder Size	192" x 47"	4877 x 1194mm
Pan Feeder	48" x 72"	1219 x 1829mm
Screen Size	168" x 72"	4267 x 1829mm
Number of Decks	2	2
Screen Speed	20HP	14.9kW
Cross Conveyors	102" x 24"	2591 x 610mm
Cross Conveyor Operating Speed	230 ft/min	1.17m/sec
Main Conveyor	574" x 48"	14580 x 1219mm
Main Conveyor Operating Speed	310 ft/min	1.57m/sec
Return Conveyor	420" x 24"	10668 x 610mm
Return Conveyor Operating Speed	240 ft/min	1.22m/sec

HORSEPOWER		
	HP	KW
Impact Crusher - Direct Drive	250	187
Feeder	30	22
Discharge Conveyor	20	15
Return Conveyor	10	7.5
Screen	20	15
Pan Feeder	2.5	2
Cross Conveyor	5.5	4
Main Conveyor	20	15
Magnet	3	2
Diesel Cat C9.3B	415	310
Generator	235	175

### CLOSED-CIRCUIT IMPACTOR PLANT

THE **4800r**  
DELIVERS IMMEDIATE  
RECYCLING RESULTS.



## LIPPMANN

3271 East Van Norman Avenue  
Cudahy, WI 53110  
Lippmann-Milwaukee.com  
800-648-0486

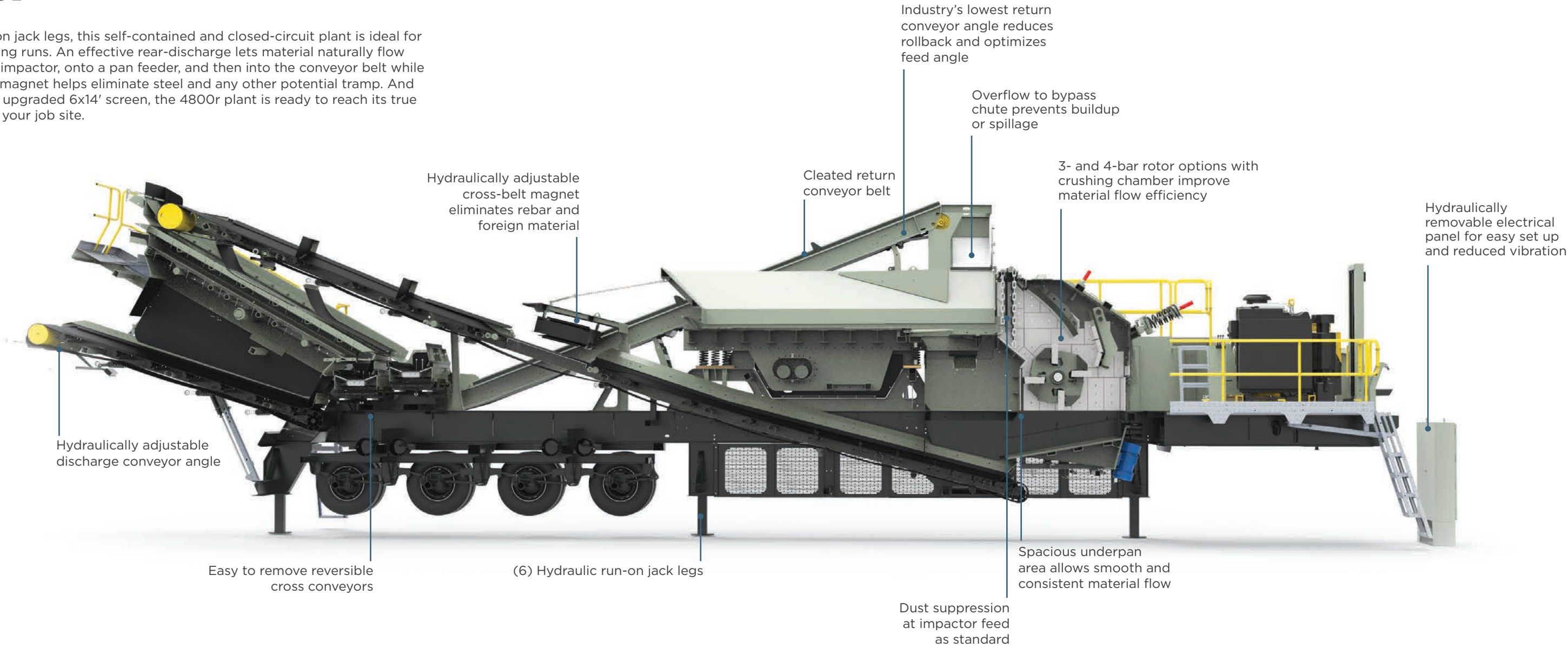
AUTHORIZED DISTRIBUTOR

**LIPPMANN**



# Closed-Circuit Impactor Plant 4800r

With 6 run-on jack legs, this self-contained and closed-circuit plant is ideal for quick recycling runs. An effective rear-discharge lets material naturally flow through the impactor, onto a pan feeder, and then into the conveyor belt while a cross-belt magnet helps eliminate steel and any other potential tramp. And now with an upgraded 6x14' screen, the 4800r plant is ready to reach its true potential on your job site.



## STANDARD FEATURES

- Andreas-type impact crusher design
- Highly cubical product
- High ratio of reduction
- Hammers have four crushing positions to maintain a more consistent gradation and greater top size control
- No weld build-up required
- One gravity and one spring loaded curtain
- Inspection door on side of machine

- (6) Run-on jack legs
- NEMA 12-motor control center
- Tire bulkheads

## SAFETY FEATURES

- Fully guarded moving components (drive belts, etc.)
- Controls located safe distance from moving component
- Stationary access point to screen walkway

## OPTIONS

- Diesel or electric drive
- Asphalt or recycling setup
- Feeder finger spacing options 1-1/2" or 3"
- Feeder Grizzly bar 1-1/2" or 2-1/2"
- 315 tires



This self-contained impactor plant is equipped with a direct drive 415hp (310kW), Tier 4 Final engine.



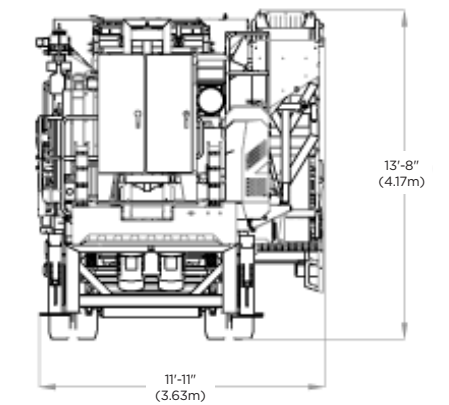
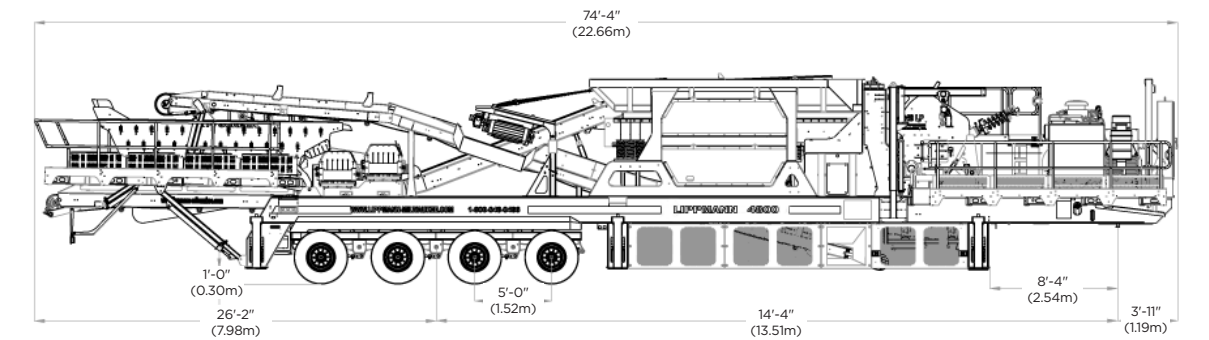
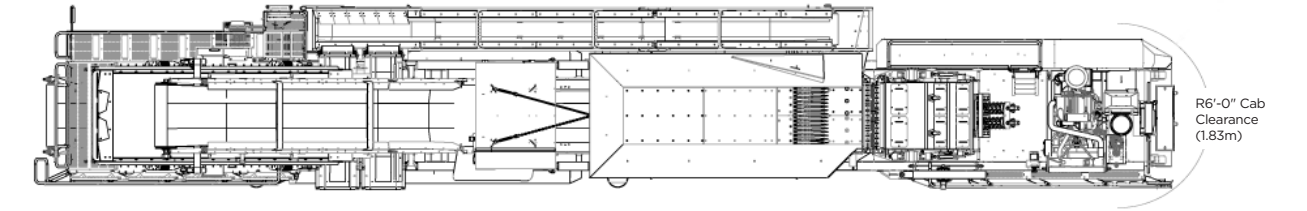
On-board jib crane simplifies blow bar replacement process for ease of maintenance.



Hydraulically adjustable screen angle allows you to select the appropriate angle for your application. The spreader split ensure material is evenly deposited on the vibrating screen.

## 4800r IMPACTOR PLANT TECHNICAL DIAGRAMS

### Transport:



### Operation:

