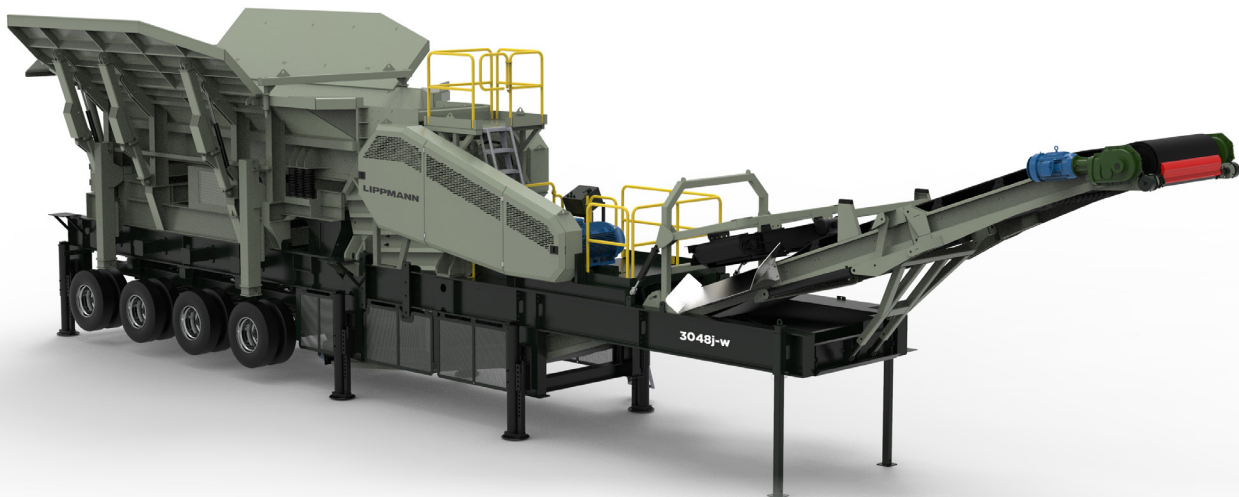


**PORTABLE JAW CRUSHING PLANT**

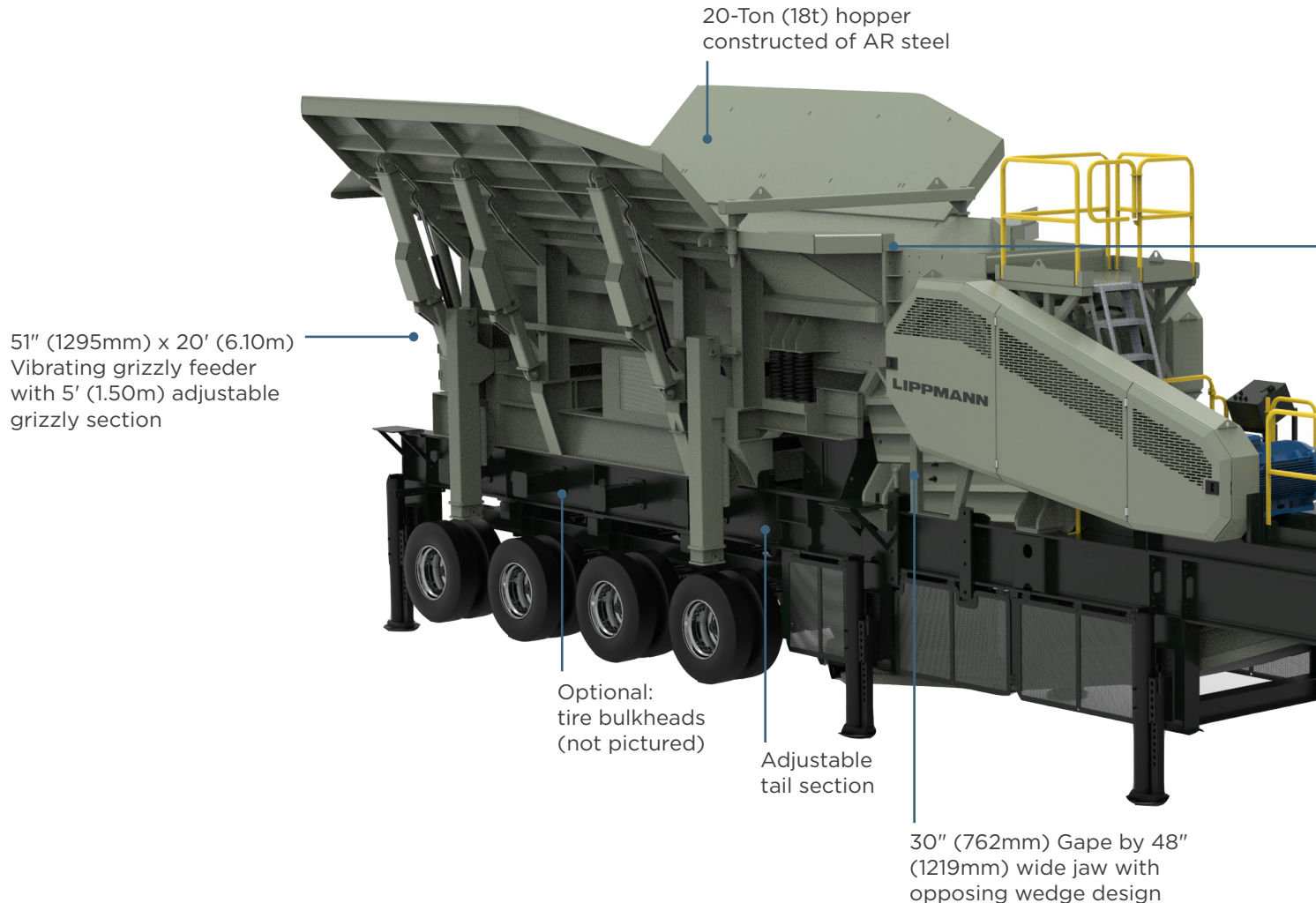
THE **3048j** RELIABLY  
TACKLES DEMANDING JOBS.

**LIPPMANN**

# Portable Jaw Crushing Plant

## 3048j

One of the original and most reliable jaws Lippmann has to offer is the 3048j jaw crusher. It is ideally sized for easy transport and is set up with the production and reliability needed for the toughest and most demanding of applications. Being the heaviest jaw on the market in this size range makes it unique and ideal for any hard rock applications.



### JAW STANDARD FEATURES

- Extra-heavy ribbed steel frame is stress-relieved after welding and before machining
- One-piece steel pitman
- Heat-treated forged alloy steel eccentric shaft
- Oversized tapered roller bearings
- Reversible manganese steel jaw dies and extension
- Steel cheek plates
- Grease-lubricated
- Two heavy-duty flywheels, one grooved for V-belts

### ADDITIONAL OPTIONS

- Hydraulic leveling jacks - (4) 70,000 lbs (31,752kgs)
- (6) Run-on jack legs
- NEMA 12-motor control center
- Cross conveyor under grizzly
- Hydraulic folding hopper extensions
- Tire bulkheads
- Toggle options
  - Hydraulic toggle
  - Tapered wedge toggle
  - Traditional toggle



Multiple discharge conveyor configurations available, including front discharge, extended front discharge, and side discharge options.



Enjoy trouble-free operation with maximum strength at all stress points.



Rugged Lippmann feeder is capable of handling side or rear loading from various types of equipment.

# 3048j-w JAW PLANT TECHNICAL SPECIFICATIONS

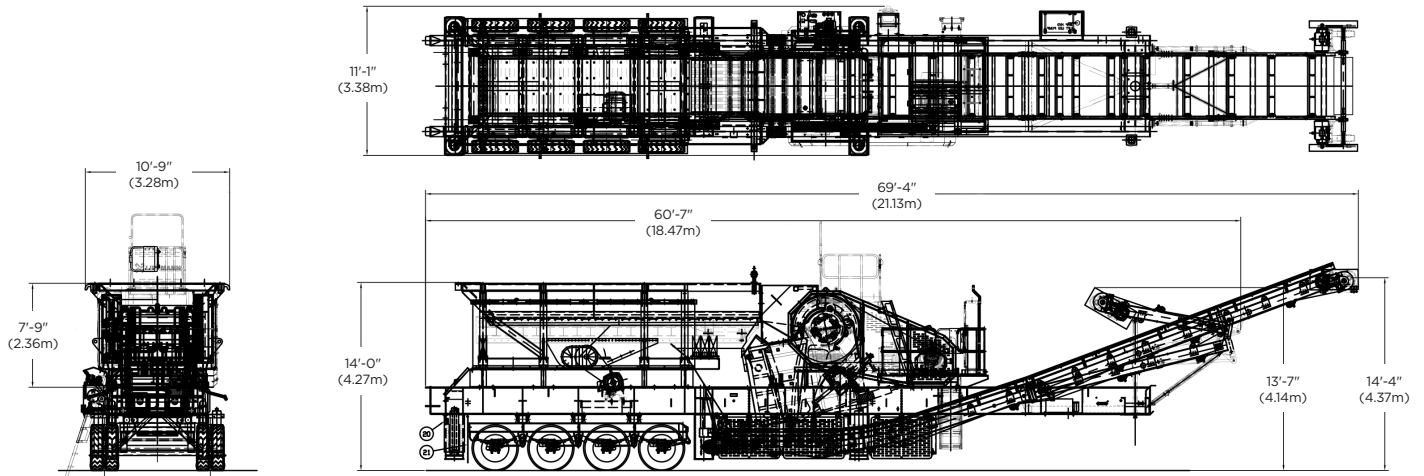
TRANSPORTATION		
	LBS	KGS
Tires	315/80R22.5	315/80R22.5
Rear Axle	70,500	31,978
King Pin	51,500	23,360
<b>TOTAL</b>	<b>122,000</b>	<b>55,338</b>
Weight of Feeder Module	32,250	14,628
<b>TOTAL WEIGHT</b>	<b>154,250</b>	<b>69,966</b>

HORSEPOWER		
	HP	KW
Jaw Crusher	200	149
Autolube	1	0.75
Feeder	40	30
Discharge Conveyor x2	15	11

SPECIFICATIONS		
	US	METRIC
Jaw Crushers	30" x 48"	762 x 1219mm
RPM	250 rpm	250 rpm
Stroke	3/4"	19mm
Feed Size	27"	686mm
Discharge Conveyor	48"	1219mm
Discharge Conveyor Operating Speed	318 ft/m	237m/m
Feeder	51" x 20'	1295mm x 6.10m
Feeder Operating Speed - Max	830 rpm	830 rpm
Grizzly Length	5'	1.52m

CLOSED SIDE SETTING (CSS)			
INCHES	MM	STPH	MTPH
3	76	250	227
3.5	88	288	261
4	102	345	313
4.5	114	400	363
5	127	420	381
6	152	500	454
7	178	600	544
8*	203*	720	653

\*Manual toggle plate option only  
Hydraulic toggle or manual toggle plate available



AUTHORIZED DISTRIBUTOR

## LIPPMANN

3271 East Van Norman Avenue  
Cudahy, WI 53110

Lippmann-Milwaukee.com

800-648-0486