

PORTABLE JAW CRUSHING PLANT

THE **3055j** AGGRESSIVELY
CRUSHES ANY SIZE JOB.



LIPPMANN

Portable Jaw Crushing Plant

3055j

With an impressive opposing wedge design, the 3055j jaw crushing plant is perfectly suited for any-size job. Lippmann has engineered the chassis to accept any application you require, including a hydraulic hopper removal system, extended discharge conveyor to feed secondary or screen plant, diesel or electric, hydraulic dump grizzly, cross conveyor, and hydraulically folding hopper extensions.



54" (1372mm) Conveyor with CEMA C idlers, premium belt scraper, and extended with hydraulic fold

JAW STANDARD FEATURES

- Extra-heavy ribbed steel frame is stress relieved after welding and before machining
- One-piece steel pitman
- Heat-treated forged alloy steel eccentric shaft
- Oversized roller bearings on the pitman
- Spherical roller bearings on the frame
- Reversible manganese steel jaw dies and extension
- Steel cheek plates
- Opposing wedge toggle tensioning system
- Grease-lubricated
- Two heavy-duty flywheels, one grooved for V-belts

ADDITIONAL OPTIONS

- Hydraulic leveling jacks - (4) 70,000 lbs (31,752kgs)
- (6) Run-on jack legs
- NEMA 12-motor control center
- Cross conveyor under grizzly
- Hydraulic folding hopper extensions
- Tire bulkheads



Multiple discharge conveyor configurations available, including front discharge, extended front discharge, and side discharge options.



Enjoy trouble-free operation with maximum strength at all stress points.



Rugged Lippmann feeder is capable of handling side or rear loading from various types of equipment.

3055j JAW PLANT TECHNICAL SPECIFICATIONS

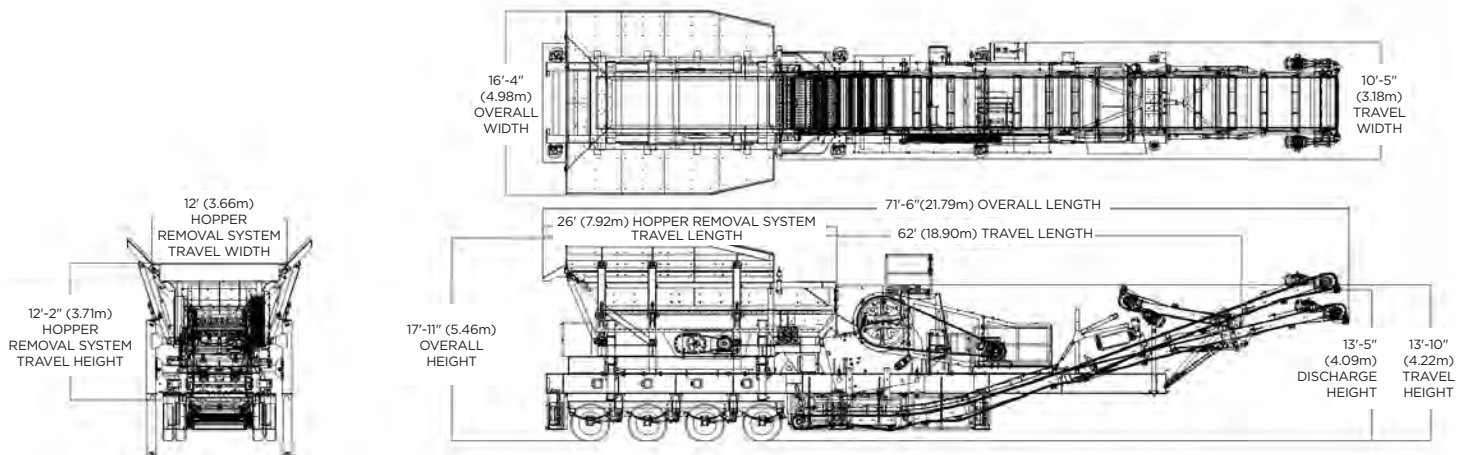
TRANSPORTATION		
	LBS	KGS
Tires	315/80R22.5	315/80R22.5
Rear Axle	71,000	32,201
King Pin	55,750	25,288
TOTAL	126,750	57,493
Weight of Feeder Module	69,250	31,411
TOTAL WEIGHT	166,250	75,410

HORSEPOWER		
	HP	KW
Jaw Crusher	200	149
Autolube	1	0.75
Opposing Wedge	1	0.75
Feeder	40	30
Discharge Conveyor	15	11

SPECIFICATIONS		
	US	METRIC
Jaw Crushers	30" x 55"	762 x 1397mm
RPM	250 rpm	4.17 Hz
Stroke	3/4"	19mm
Feed Size	27"	686mm
Discharge Conveyor	54"	1372mm
Discharge Conveyor Operating Speed	318 hp	237kw
Feeder	55" x 20'	1397mm x 6.10m
Feeder Operating Speed - Max	830 hp	619kw
Grizzly Length	5'	1.52m

CLOSED SIDE SETTING (CSS)			
INCHES	MM	STPH	MTPH
3	76	250	227
3.5	88	288	261
4	102	345	313
4.5	114	400	363
5	127	420	381
6	152	500	454
7	178	600	544
8*	203*	720	653

*Manual toggle plate option only.
Hydraulic toggle or manual toggle plate available.



AUTHORIZED DISTRIBUTOR

LIPPMANN

3271 East Van Norman Avenue
Cudahy, WI 53110

Lippmann-Milwaukee.com

800-648-0486