



Pictured is a Superior SI8242 Anthem Inclined Screen mounted on a Superior custom structure and conveyor.

ANTHEM® INCLINED SCREEN

Primary or Secondary Screen For Aggregate and Mining Applications.

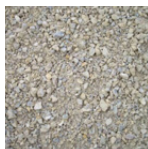
FEATURES

- » Wide range of applications including gravel, crushed stone, recycle and industrial minerals.
- » Custom footprints are available to fit your existing screen structure.
- » Durable screen with scalping, sizing, or finishing capabilities.
- » Spray systems and wash kit options
- » Variety of models available to accommodate specific applications.

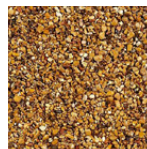
APPLICATIONS



Ore/Hard
Rock Mining



Quarried
Stone



River
Gravel



Recycle
Concrete



Fractured
Gravel



Cubical
products

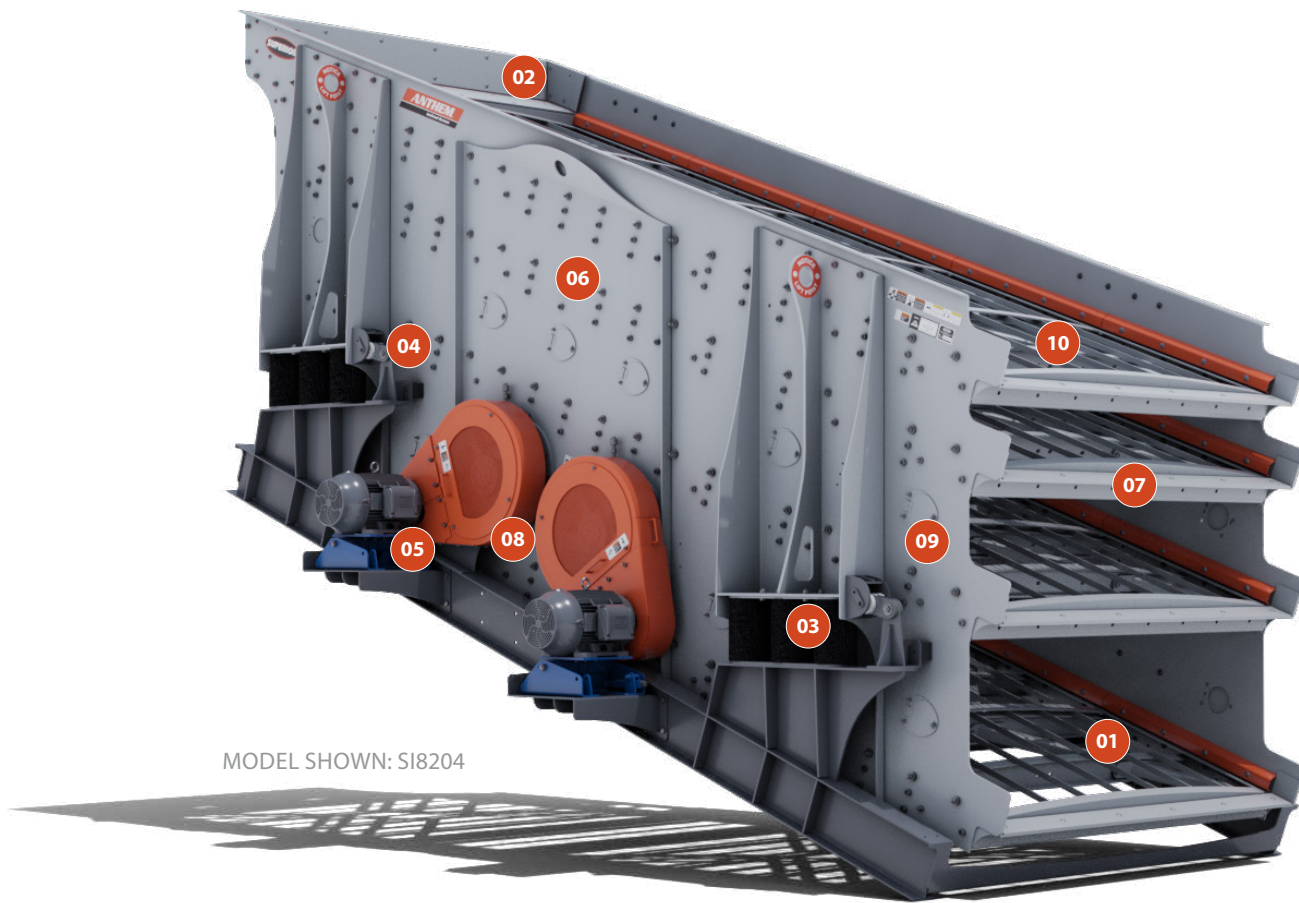


Super Pave
Products

Wheeled 
Stationary 

Rock Face to Load Out®





MODEL SHOWN: SI8204

01/ DECK SPACING*

Additional space between decks to for easier change out of media.

02/ INTEGRATED FEEDBOX

Modern feedbox design integrated into frame of screen with bolted wear liners and deflector plates.

03/ COIL SPRINGS

Quiet operation and smooth motion. Shown with flexible spring guards.

04/ VS2 SURGE SUPPRESSION

Ensures smooth startup and shut down of screen.

05/ PIVOT-BASE MOTOR MOUNT*

Provides the correct belt tension to ensure trouble free operation.

06/ HUCK BOLT CONSTRUCTION

Highest reliability and best holding force in vibratory application.

07/ DISCHARGE LIPS/SIDE LINERS*

Bolt-on, replaceable liners available in steel, rubber or urethane.

08/ "C" SECTION V BELT DRIVE

Single or dual shaft for application flexibility.

09/ INSPECTION PORTS*

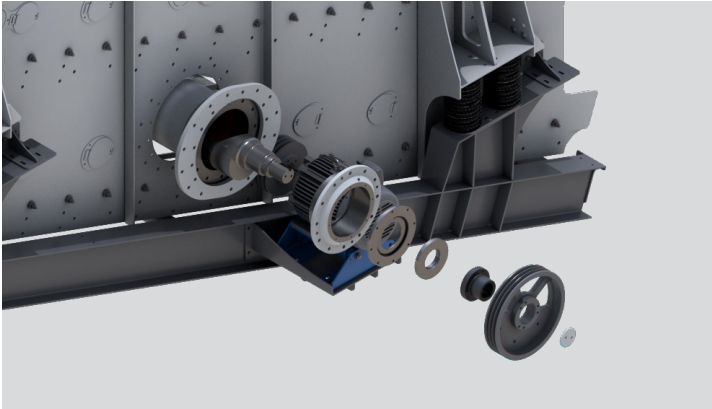
Bolt-locking, hinged inspections ports.

10/ DECK LINERS*

Replaceable deck protection liners extend life of the screen by protecting deck structure from wear.

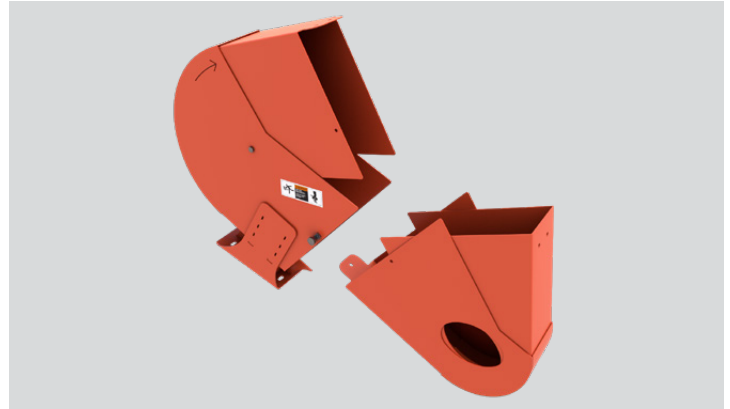
*Low-maintenance features for static plant operators

HIGHLIGHTS



DRIVE DESIGN

- » Reduced downtime via side removal of shaft assembly.



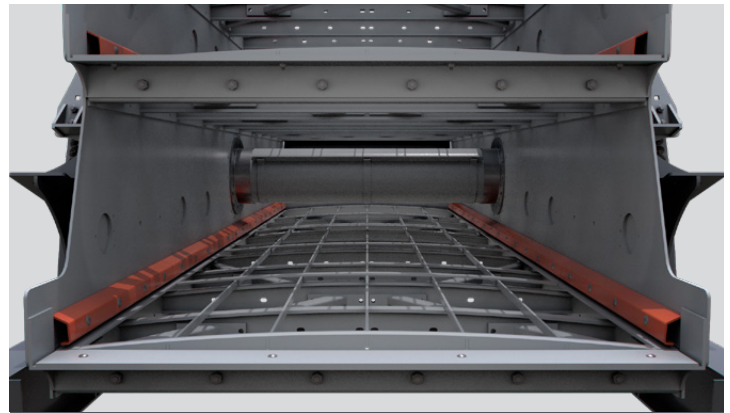
SEGMENTED BELT GUARDS

- » Require only one person to remove and reinstall during maintenance.



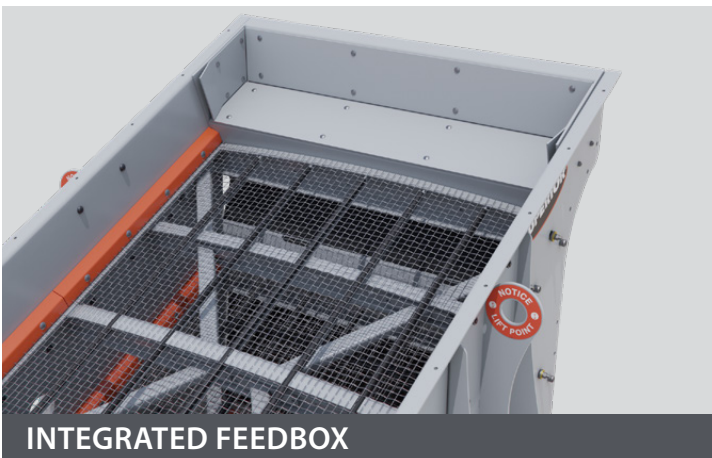
HINGED ACCESS DOORS

- » Prevent material spillage through access holes with hinged covers that cannot easily be misplaced.



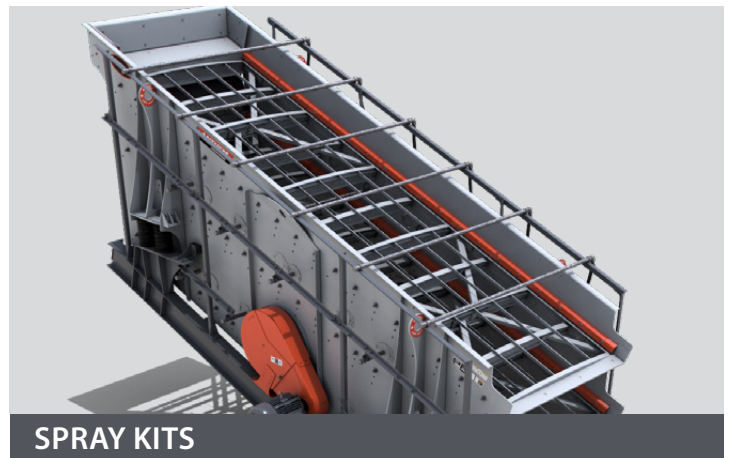
DECK SPACING

- » Additional space between decks to for easier change out of media



INTEGRATED FEEDBOX

- » Modern feedbox design integrated into frame of screen with the ability to incorporate wear liners and deflector plates.



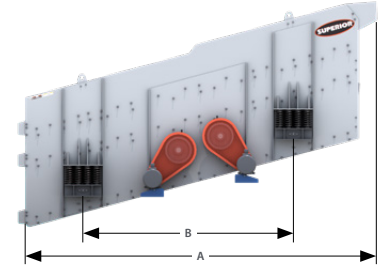
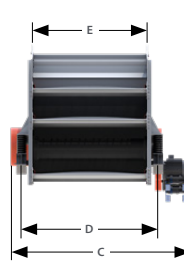
SPRAY KITS

- » Optional wash system kits are available.

SPECIFICATIONS

ANTHEM INCLINED SCREEN

Model	Decks	Size		Weight		Power	
		ft x ft	mm x mm	lbs	kg	hp	kW
5142-SI	2	5 x 14	1,600 x 4,250	10,000	4,535	15	11
5143-SI	3	5 x 14	1,600 x 4,250	12,800	5,806	20	15
5162-SI	2	5 x 16	1,600 x 4,900	11,100	5,040	15	11
5163-SI	3	5 x 16	1,600 x 4,900	13,500	6,150	20	15
6162-SI	2	6 x 16	1,890 x 4,900	12,500	5,700	20	15
6163-SI	3	6 x 16	1,890 x 4,900	15,400	6,982	30	22.5
6202-SI	2	6 x 20	1,890 x 6,115	14,500	6,600	25	18.5
6203-SI	3	6 x 20	1,890 x 6,115	17,600	7,977	30	22.5
6204-SI	4	6 x 20	1,890 x 6,115	20,700	9,354	40	30
7202-SI	2	7 x 20	2,190 x 6,050	20,000	9,100	30	22.5
7203-SI	3	7 x 20	2,190 x 6,050	28,200	12,800	(2) 25	(2) 18.5
8202-SI	2	8 x 20	2,500 x 6,115	23,100	10,500	(2) 20	(2) 15
8203-SI	3	8 x 20	2,500 x 6,115	29,800	13,500	(2) 25	(2) 18.5
8204-SI	4	8 x 20	2,500 x 6,115	39,600	18,000	(2) 30	(2) 22.5
8242-SI	2	8 x 24	2,500 x 7,320	29,200	13,250	(2) 20	(2) 15
8243-SI	3	8 x 24	2,500 x 7,320	38,580	17,500	(2) 30	(2) 22.5



DIMENSIONS - INCHES (MM)

Model	A		B		C		D		E	
	in	mm	in	mm	in	mm	in	mm	in	mm
5142-SI	186.0	4,723	90.3	2,294	110.6	2,811	80.9	2,056	62.9	1,600
5143-SI	186.0	4,723	90.3	2,294	110.6	2,811	80.9	2,056	62.9	1,600
5162-SI	208.5	5,296	112.8	2,866	110.6	2,811	80.9	2,056	62.9	1,600
5163-SI	208.5	5,296	112.8	2,866	110.6	2,811	80.9	2,056	62.9	1,600
6162-SI	208.5	5,296	112.8	2,866	124.1	3,152	92.5	2,350	74.4	1,890
6163-SI	208.5	5,296	112.8	2,866	124.1	3,152	92.5	2,350	74.4	1,890
6202-SI	253.2	6,431	157.9	4,012	124.1	3,152	92.5	2,350	74.4	1,890
6203-SI	253.2	6,431	157.9	4,012	124.1	3,152	92.5	2,350	74.4	1,890
6204-SI	253.2	6,431	157.9	4,012	124.1	3,152	92.5	2,350	74.4	1,890
7202-SI	253.2	6,431	157.9	4,012	137.3	3,488	104.5	2,656	86.0	2,190
7203-SI	253.2	6,431	157.9	4,012	137.3	3,488	104.5	2,656	86.0	2,190
8202-SI	255.0	6,482	157.9	4,012	149.6	3,800	116.5	2,960	98.4	2,500
8203-SI	255.0	6,482	157.9	4,012	149.6	3,800	116.5	2,960	98.4	2,500
8204-SI	253.0	6,431	167.7	4,260	149.6	3,800	116.5	2,960	98.4	2,500
8242-SI	298.4	7,580	180.3	4,580	153.5	3,900	116.5	2,960	98.4	2,500
8243-SI	298.4	7,580	180.3	4,580	153.5	3,900	116.5	2,960	98.4	2,500